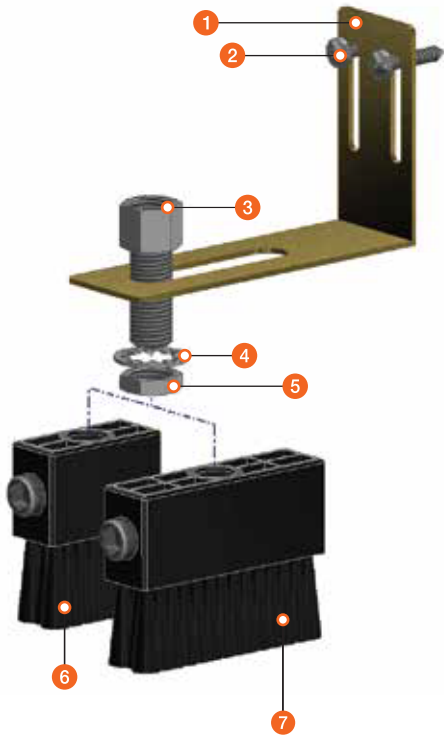


DETAILED PARTS AND ASSEMBLY PROCEDURE



| LIST | PART No. | DESCRIPTION | Q'TY |
|------|----------|---|------|
| 1 | B003-01 | Oil Brush Bracket, "L" Shape, Steel | 1 |
| 2 | B051 | Self Drilling Screw, #8 x 19, Steel | 2 |
| 3 | A314 | Reducer, PF1/4" F x PF1/4" Mx30mm x PT1/8" F, Steel | 1 |
| 4 | B058 | Tooth Washer, O.D.23mm x I.D.14.5mm x 1t, Steel | 1 |
| 5 | N001 | Nut, PF1/4" F x 5mm, Steel | 1 |
| 6 | C017 | Oil Brush, 45 x 20 x 30mm Flat Nylon, PF1/4" F | 1 |
| 7 | C018 | Oil Brush, 74 x 20 x 30mm Flat Nylon, PF1/4" F | 1 |

ASSEMBLY PROCEDURE

1. Install the Oil Brush Bracket (1) in an appropriate location using the Self Drilling screws (2).
2. Fasten the reducer (3), tooth washer (4), Nut (5) and Pulsarlube EO unit in the desired position along the slot of the bracket. The end (3) will connect to an appropriate brush (6) or (7).

COMMENTS

Output volume may vary depending on oil viscosity, ambient temperature, etc.

| LIST & PART No. | KIT No. | DESCRIPTION |
|----------------------|-------------|--|
| [1 ~ 5] + 6 (C017) | C040 | [EO] 45mm Nylon Flat Oil Brush & Bracket Kit |
| [1 ~ 5] + 7 (C018) | C041 | [EO] 74mm Nylon Flat Oil Brush & Bracket Kit |